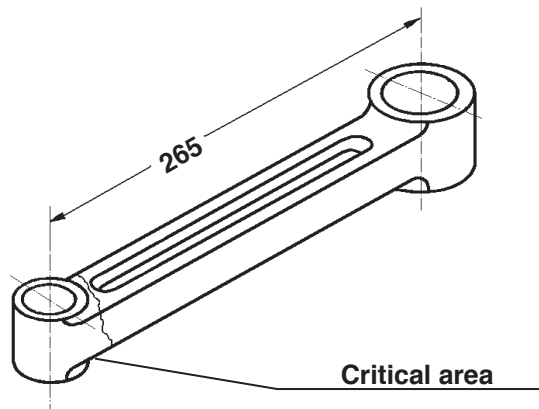
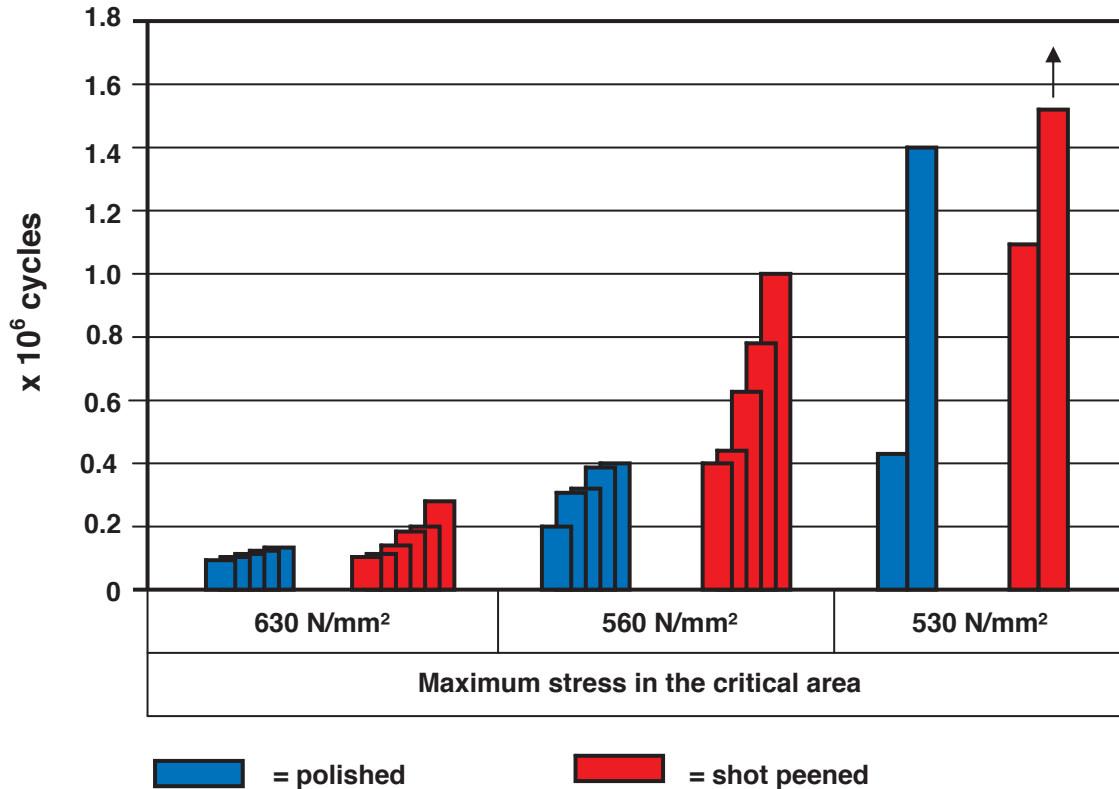




Test report on a polished and shot peened connection rod

40 Ni Cr Mo 7 3



Connection rod

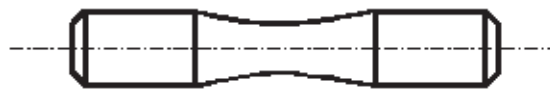
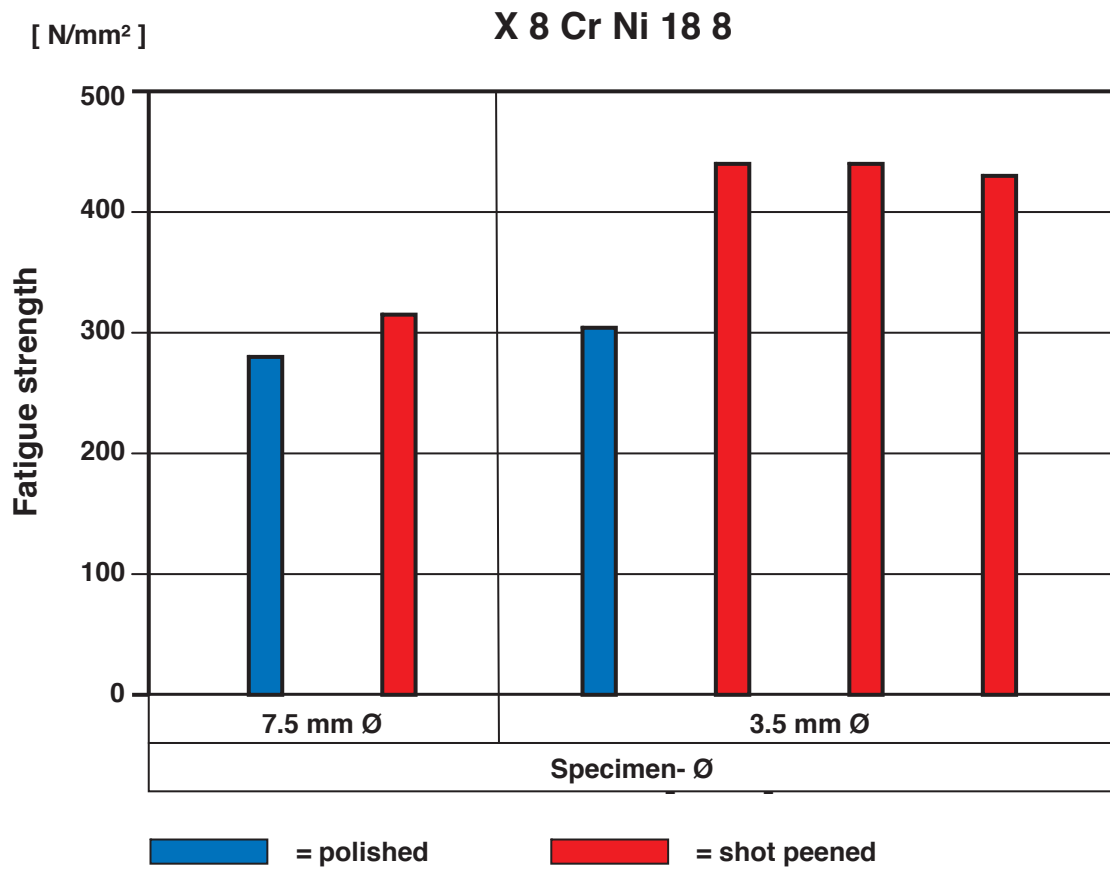
High quality surface finish

High quality surface finish (e.g. polished, honed, lapped) increases the fatigue life of parts greatly, but the costs are high. Defects such as notches etc. by handling, mounting or fitting after this surface finish can have very detrimental effects on the fatigue life.

Shot peening increases the fatigue life by the same amount but at much lower cost and also decreases the notch sensitivity.



Test report on a polished and shot peened camshaft



Specimen

